

RELAX IMMAGINA



RELAX
RADIATORS

RELAX IMMAGINA

height 2000 mm, length 600 mm. Matt White finish (cod. J8).
Design by Domenico De Palo

**Technical features:**

- radiating panel
- 1/2" Gas right threading
- maximum working pressure 4 bar
- maximum working temperature 95°C

Price included:

- valve unit complete with couplings for copper (diameters 12, 14 and 15 mm) and multilayer (14 thick 2 and 16 thick 2)
- 4 wall supports
- LED lighting system optional
- air vent

RELAX IMMAGINA with led:

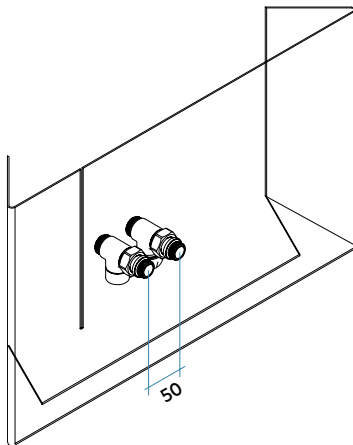
Represents the ideal combination of artistic design and colour effect, thanks to the wireless remote control it is possible to choose between a vast range of colours.

Finishes available**Surcharge**

Special finishes

Other RAL colors

Finishing codes see page 596.

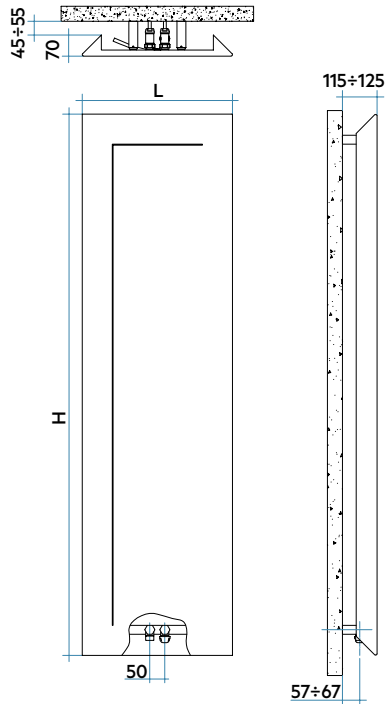
Hidden hydraulic connection INCLUDED IN THE PRICE

RELAX IMMAGINA features the innovative hidden hydraulic connection system.

This type of connection hides all valves from view to the advantage of the heating element's formal aspect. Another winning feature of this type of hydraulic connection is its easy installation, thanks to the 50 mm pitch valve assembly pre-assembled and tested directly by IRSAP.

The concealed hydraulic connection with universal connection M30 x 1.5 is thus already prepared for the installation of a thermostatic head (optional).

RELAX IMMAGINA



RELAX
RADIATORS

CE₀₈
EN442-1

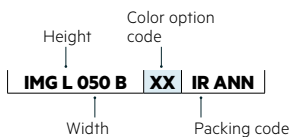
EN^{EURO}442^{NORM}

Model	Code	Depth mm	Height H mm	Width L mm	Conn. c. L' mm	Weight Kg	Cap. lt	Thermal Power				Exp. n.	
								Δt=50°C Btu/h	Watt	Δt=40°C Watt	Δt=30°C Watt (*)		Δt=20°C Watt
RELAX IMMAGINA S	IMGL050B XX IR ANN	70	1800	500	50	26,3	1,4	2.624	769	584	410	248	1,234
RELAX IMMAGINA L	IMGE060B XX IR ANN	70	2000	600	50	33,3	1,9	3.443	1.009	768	540	329	1,224
RELAX IMMAGINA S with LED	IMGL050B XX IR ALN - LED-AA	70	1800	500	50	26,3	1,4	2.624	769	584	410	248	1,234
RELAX IMMAGINA L with LED	IMGE060B XX IR ALN - LED-AA	70	2000	600	50	33,3	1,9	3.443	1.009	768	540	329	1,224

(*) Thanks to the high performance of Irsap RELAX IMMAGINA radiators, the ideal Δt for low temperature projects is Δt at 30°C. For Δt different from 50°C use the formula: $Q=Q_n (\Delta t / 50)^n$

Key Codes

RELAX IMMAGINA without LED option



RELAX IMMAGINA with LED option



