



PIANO 2 VERTICAL

14 elements, height 2020 mm, length 792 mm. Matt Light Grey finish (cod. 8N). Configuration cod. 80.



Technical features:

- manifolds with a 30 mm diameter circular section
- tubes made of sheet steel with a 50x10 mm rectangular section
- manifold threading 1/2" Gas right
- maximum working pressure 4 bar
- maximum working temperature 95°C

Price included:



| Finishes available | Surcharge |
|--------------------|-----------|
| Standard White | |
| Classic finishes | |
| Special finishes | |
| Other RAL colors | |

Finishing codes see page 596.

Number of elements:

Radiators with an odd number of elements will be supplied at the same price as a radiator with the next even number of elements.
For example: a PIANO 2 Vertical 1820 high and 9 elements wide = the price of a PIANO 2 Vertical 1820 high and 10 elements wide

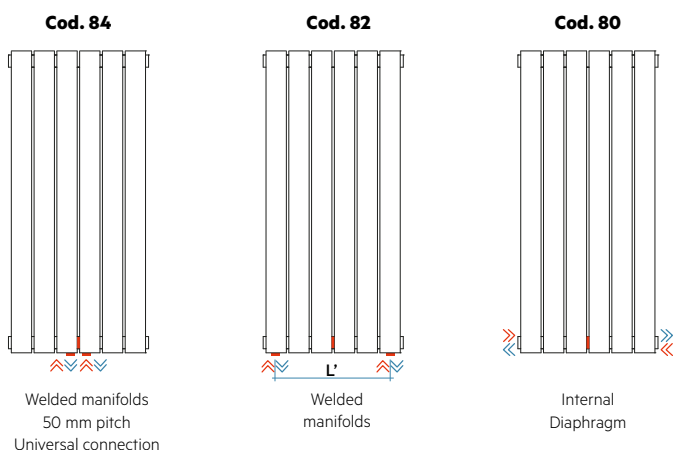


| Model | Code | Depth mm | Height H mm | Conn. centre H' mm | Weight Kg | Capacity lt | Thermal Power | | | | Exponent n. | |
|-------|-------------------------------|-------------|----------------|-----------------------|--------------|----------------|---|---------------------------------------|---|---------------------------------------|----------------|-------|
| | | | | | | | $\Delta t=50^{\circ}\text{C}$ Btu/h Watt | $\Delta t=40^{\circ}\text{C}$ Watt | $\Delta t=30^{\circ}\text{C}$ Watt (*) | $\Delta t=20^{\circ}\text{C}$ Watt | | |
| 520 | PI2 0520 YY 01 A4 01 A | 46 | 520 | 470 | 1,16 | 0,43 | 171,2 | 50,2 | 37,6 | 25,9 | 15,3 | 1,296 |
| 700 | PI2 0700 YY 01 A4 01 A | 46 | 700 | 650 | 1,52 | 0,55 | 223,6 | 65,5 | 49,0 | 33,6 | 19,8 | 1,305 |
| 920 | PI2 0920 YY 01 A4 01 A | 46 | 920 | 870 | 1,96 | 0,71 | 285,9 | 83,8 | 62,5 | 42,8 | 25,1 | 1,317 |
| 1220 | PI2 1220 YY 01 A4 01 A | 46 | 1220 | 1170 | 2,61 | 0,91 | 369,0 | 108,1 | 80,6 | 55,2 | 32,4 | 1,316 |
| 1520 | PI2 1520 YY 01 A4 01 A | 46 | 1520 | 1470 | 3,16 | 1,13 | 450,6 | 132,1 | 98,5 | 67,5 | 39,6 | 1,315 |
| 1820 | PI2 1820 YY 01 A4 01 A | 46 | 1820 | 1770 | 3,76 | 1,34 | 531,2 | 155,7 | 116,1 | 79,6 | 46,7 | 1,314 |
| 2020 | PI2 2020 YY 01 A4 01 A | 46 | 2020 | 1970 | 4,16 | 1,48 | 584,5 | 171,3 | 127,6 | 87,3 | 51,2 | 1,319 |
| 2220 | PI2 2220 YY 01 A4 01 A | 46 | 2220 | 2170 | 4,61 | 1,61 | 637,6 | 186,9 | 139,1 | 95,0 | 55,5 | 1,324 |
| 2520 | PI2 2520 YY 01 A4 01 A | 46 | 2520 | 2470 | 5,16 | 1,82 | 716,9 | 210,1 | 156,1 | 106,4 | 62,0 | 1,332 |

(*) Thanks to the high performance of Irsap PIANO 2 Vertical radiators, the ideal Δt for low temperature projects is Δt at 30°C.

For Δt different from 50°C use the formula: $Q=Q_n (\Delta t / 50)^n$

Special Options



Manifolds:

The pipefittings welded on the bottom manifold can be positioned at any point at a specified distance between centres. It is compulsory in this type of installation to install a diaphragm during production to ensure the product functions correctly. The minimum possible distance between centres is equal to 50 mm (cod. 84), while the maximum distance depends on the length of the radiator (cod. 82).

The maximum distance between centres is equal to the number of elements - 1 multiplied by 56 (element pitch): $L' = 56 \times (n^{\circ} \text{ of elements } - 1)$.

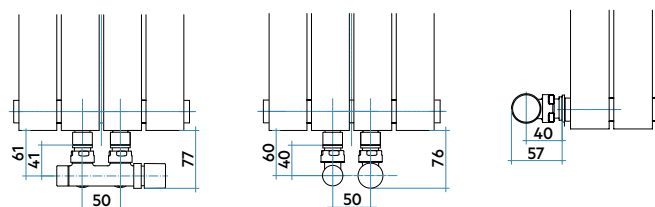
Bottom Connections (Cod. M82, M84): For bottom water connections insert an internal flow diverter to the bottom manifold

Internal Diaphragm (Cod. M80): Prearrangement for bottom connections with 1/2" welded fittings and internal baffle

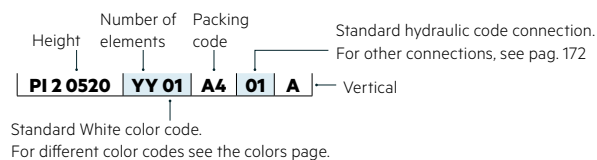
Configured for connection with single-pipe valve: connection available only for modul and/or double-pipe systems, no monotube valve with loop - (specify water inlet)

For other connections see page 172

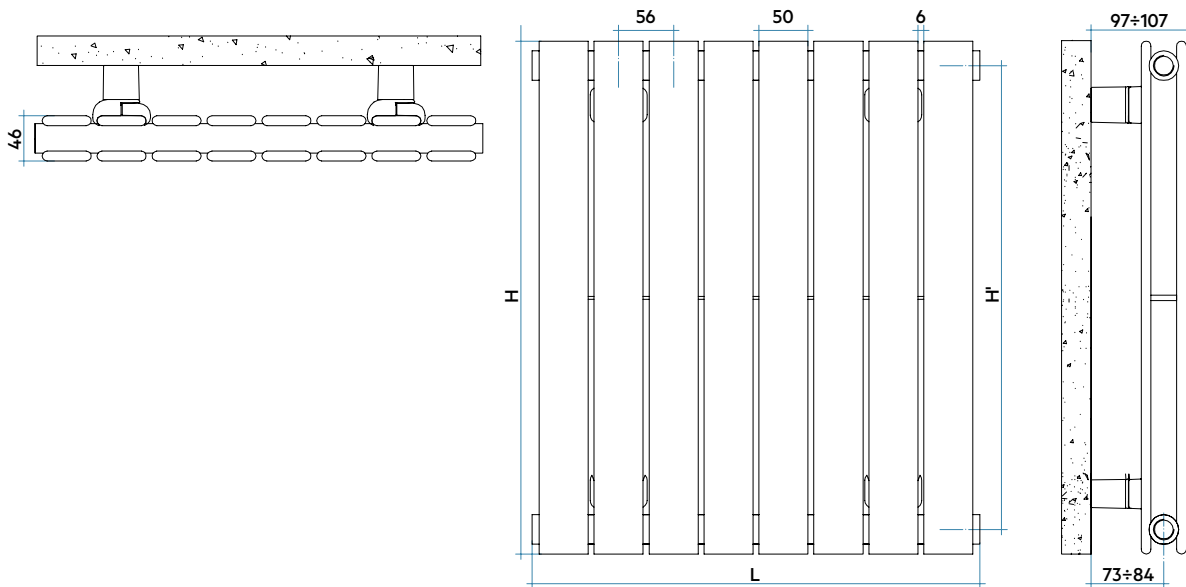
Connection dimensions with IRSAP valves



Key Codes



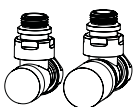
Standard White color code.
For different color codes see the colors page.



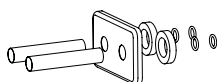
COMPLETE BATTERY DATA

| (L) | HEIGHT (H) | | | | | | | | | |
|--|------------|------|------|------|------|------|------|------|------|--|
| | 520 | 700 | 920 | 1220 | 1520 | 1820 | 2020 | 2220 | 2520 | |
| Lenght mm 232 <i>yy = N° elem.</i> 4 | W 201 | 262 | 335 | 433 | 528 | 623 | 685 | 747 | 840 | |
| Lenght mm 344 <i>yy = N° elem.</i> 6 | W 301 | 393 | 503 | 649 | 792 | 934 | 1028 | 1121 | 1261 | |
| Lenght mm 456 <i>yy = N° elem.</i> 8 | W 402 | 524 | 670 | 865 | 1056 | 1245 | 1370 | 1495 | 1681 | |
| Lenght mm 568 <i>yy = N° elem.</i> 10 | W 502 | 655 | 838 | 1081 | 1321 | 1557 | 1713 | 1869 | 2101 | |
| Lenght mm 680 <i>yy = N° elem.</i> 12 | W 602 | 786 | 1005 | 1298 | 1585 | 1868 | 2056 | 2242 | 2521 | |
| Lenght mm 792 <i>yy = N° elem.</i> 14 | W 703 | 917 | 1173 | 1514 | 1849 | 2180 | 2398 | 2616 | 2942 | |
| Lenght mm 904 <i>yy = N° elem.</i> 16 | W 803 | 1048 | 1341 | 1730 | 2113 | 2491 | 2741 | 2990 | 3362 | |
| Lenght mm 1016 <i>yy = N° elem.</i> 18 | W 903 | 1179 | 1508 | 1947 | 2377 | 2802 | 3084 | 3364 | | |
| Lenght mm 1128 <i>yy = N° elem.</i> 20 | W 1004 | 1310 | 1676 | 2163 | 2641 | 3114 | | | | |
| Lenght mm 1240 <i>yy = N° elem.</i> 22 | W 1104 | 1441 | 1843 | 2379 | 2905 | | | | | |
| Lenght mm 1352 <i>yy = N° elem.</i> 24 | W 1205 | 1572 | 2011 | 2595 | 3169 | | | | | |
| Lenght mm 1464 <i>yy = N° elem.</i> 26 | W 1305 | 1704 | 2179 | 2812 | | | | | | |
| Lenght mm 1576 <i>yy = N° elem.</i> 28 | W 1405 | 1835 | 2346 | 3028 | | | | | | |
| Lenght mm 1688 <i>yy = N° elem.</i> 30 | W 1506 | 1966 | 2514 | 3244 | | | | | | |

Decorative & Technical Accessories



Kit Valves and
Lockshield valve
Pag. 562



Pipe cover kit
Pag. 566

