



DEDALO

height 1600 mm, length 660 mm. Matt Blue Dove finish (cod. 4P).
Designed by Synthesis Design

**Technical features:**

- radiating panel
- 1/2" Gas right threading
- maximum working pressure 4 bar
- maximum working temperature 95°C

Price included:

- innovative water connection system installed on the product complete with fittings for connection to copper pipes (12, 14 and 15 mm diameter) and multilayer pipes (14 x 2 thick and 16 x 2 thick)
- wall fixing system built into the product column
- LED lighting system optional
- air vent

Finishes available

Special finished

Other RAL colors

Surcharge

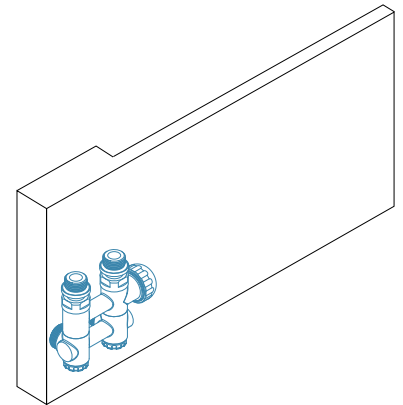
Finishing codes see page 596.**Concealed hydraulic connection INCLUDED IN THE PRICE**

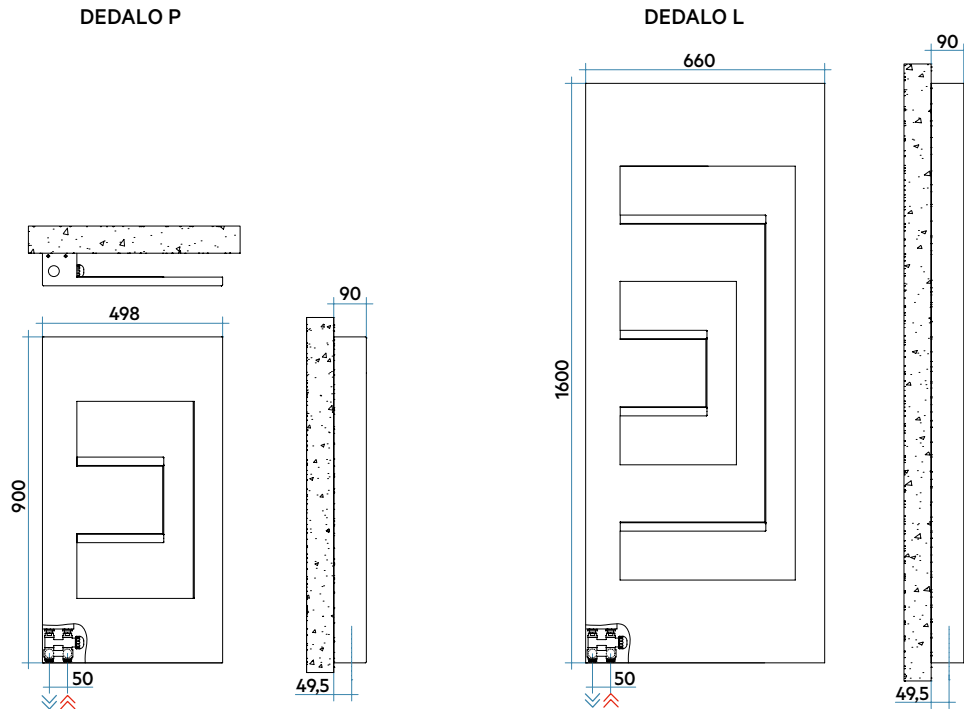
DEDALO features the innovative hidden hydraulic connection system.

This type of connection hides all valves from view to the advantage of the heating element's formal aspect.

Another winning feature of this type of hydraulic connection is its easy installation permitted by its 50 mm connection center valve unit pre-assembled and tested directly by IRSAP.

As may be seen from the photo at the right, the hidden hydraulic connection system is already fitted for the installation of a thermostat valve (optional).





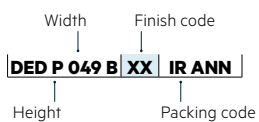
| Model | Code | Depth mm | Height mm | Width mm | Conn. C. mm | Weight Kg | Cap. lt | Thermal Power | | | | Exp. n. | |
|--------------------|------------------------------------|-------------|--------------|-------------|----------------|--------------|------------|--|-------------|---------------------------------------|--|------------|---------------------------------------|
| | | | | | | | | $\Delta t=50^{\circ}\text{C}$ Btu/h | Watt | $\Delta t=40^{\circ}\text{C}$ Watt | $\Delta t=30^{\circ}\text{C}$ Watt (*) | | $\Delta t=20^{\circ}\text{C}$ Watt |
| DEDALO | DEDP049B XX IR ANN | 90 | 900 | 498 | 50 | 18,0 | 0,7 | 846 | 248 | 182 | 122 | 70 | 1,386 |
| | DEDL066B XX IR ANN | 90 | 1600 | 660 | 50 | 23,2 | 1,4 | 2269 | 665 | 509 | 361 | 223 | 1,194 |
| DEDALO with LED | DEDP049B XX IR ALN - LED-AA | 90 | 900 | 498 | 50 | 18,0 | 0,7 | 846 | 248 | 182 | 122 | 70 | 1,386 |
| | DEDL066B XX IR ALN - LED-AA | 90 | 1600 | 660 | 50 | 23,2 | 1,4 | 2269 | 665 | 509 | 361 | 223 | 1,194 |

(*) Thanks to the high performance of Irsap DEDALO radiators, the ideal Δt for low temperature projects is Δt at 30°C .

For Δt different from 50°C use the formula: $Q=Q_n (\Delta t / 50)^n$

Key Codes

DEDALO without LED option



DEDALO with LED option

